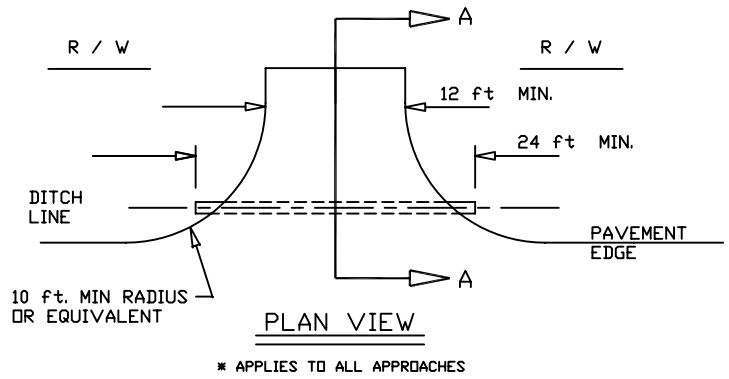
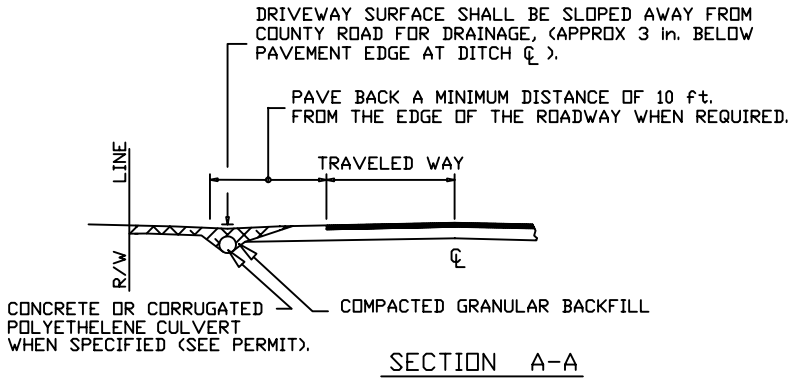
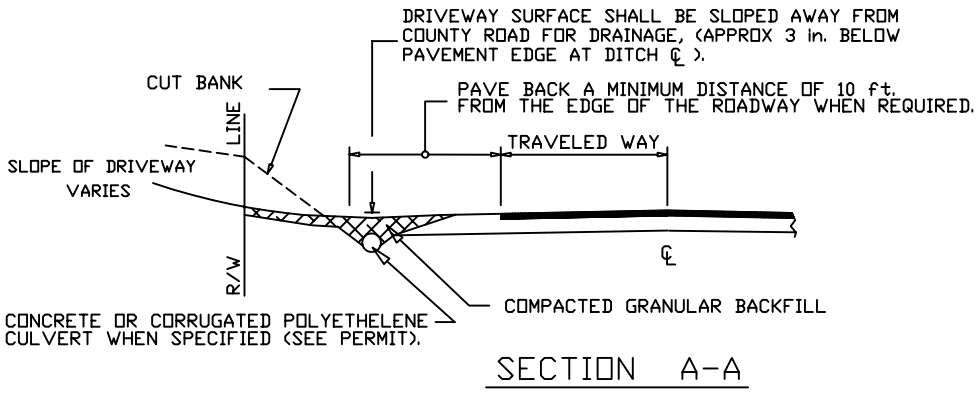


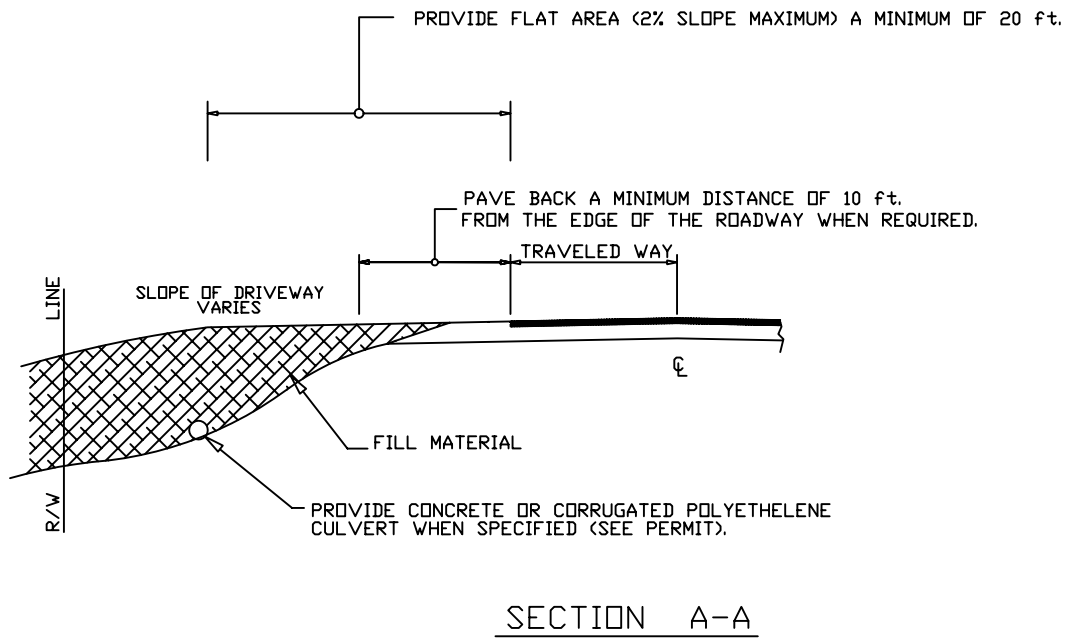
# I. STANDARD APPROACH

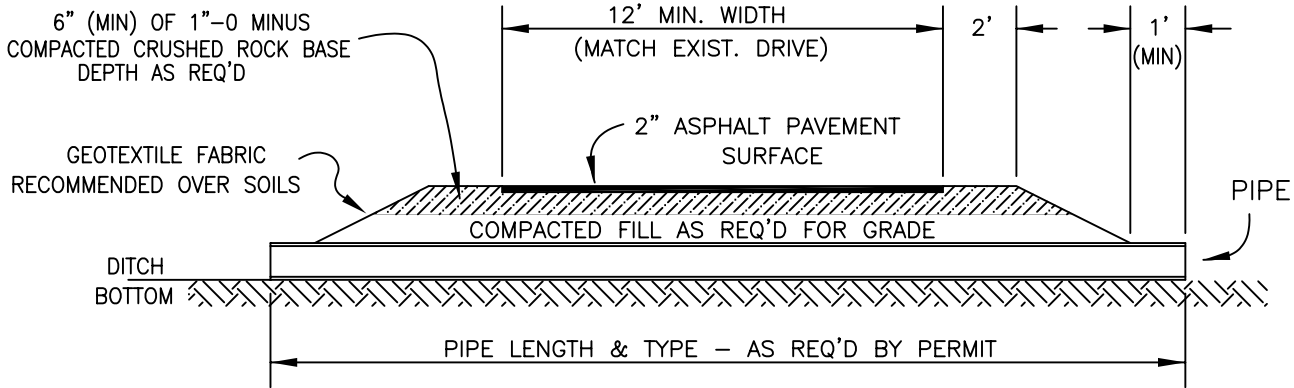


# II. HILLSIDE APPROACH



# III. BELOW GRADE APPROACH

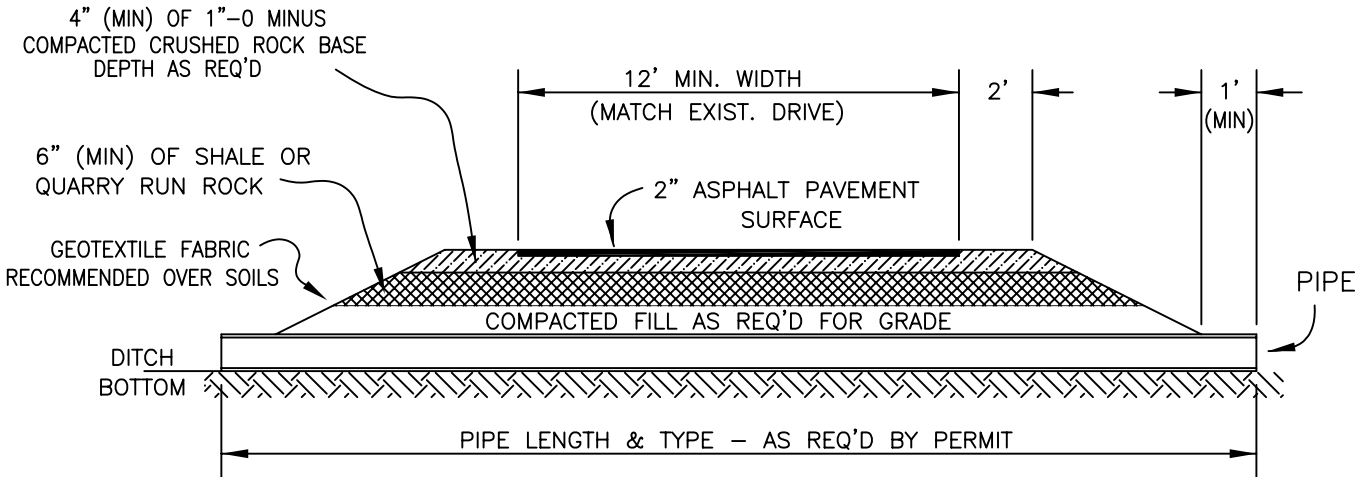




DRIVEWAY TYPICAL SECTION, OPTION A

NO SCALE

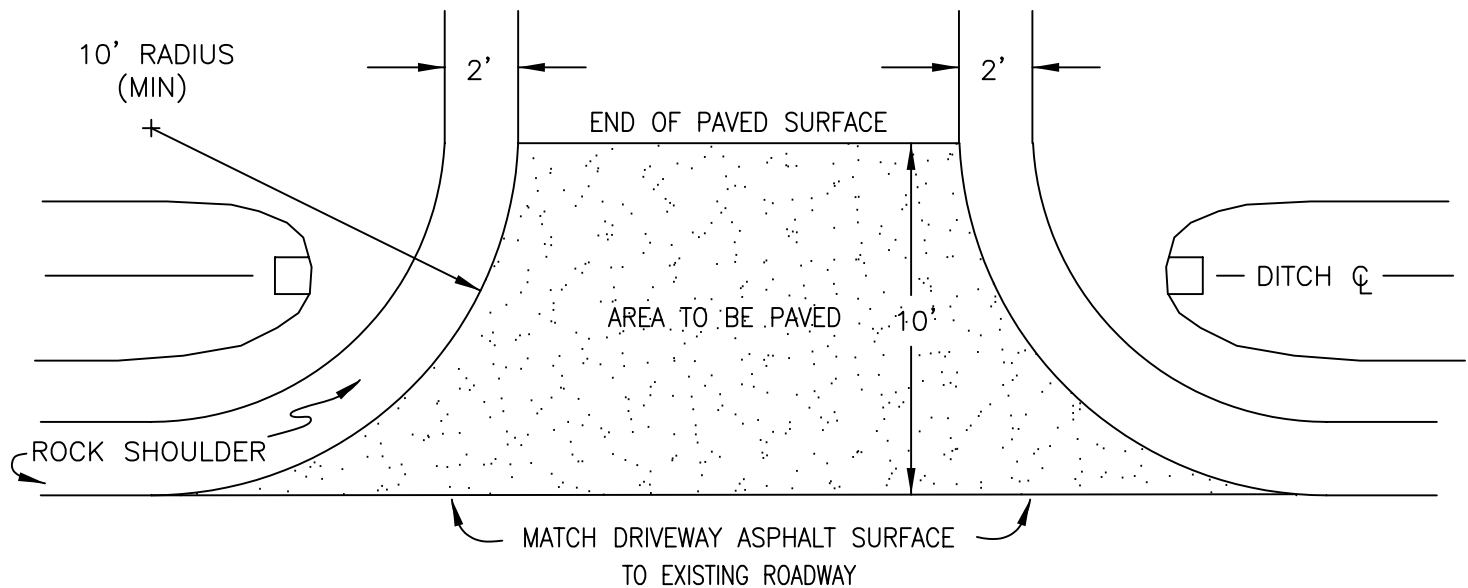
APPLICANT MAY CHOOSE EITHER  
OPTION A or OPTION B



DRIVEWAY TYPICAL SECTION, OPTION B

NO SCALE

APPLICANT MAY CHOOSE EITHER  
OPTION A or OPTION B



DRIVEWAY PLAN VIEW

NO SCALE

DRAWING NO. : 001	CONTRACT NO. 114	DATE: 01/08/2000
DESIGNED BY: LINN COUNTY	ALWAYS DESIGN FIRST	
SHEET: SEC-01		
PIPE SCALE: AS NOTED		
PIPE SCALE: AS NOTED		

LINN COUNTY PLANNING AND BUILDING DEPT.  
 PAVED APPROACH  
 NEW DRIVEWAY, MAJOR COLLECTOR  
 CONSTRUCTION STANDARDS

